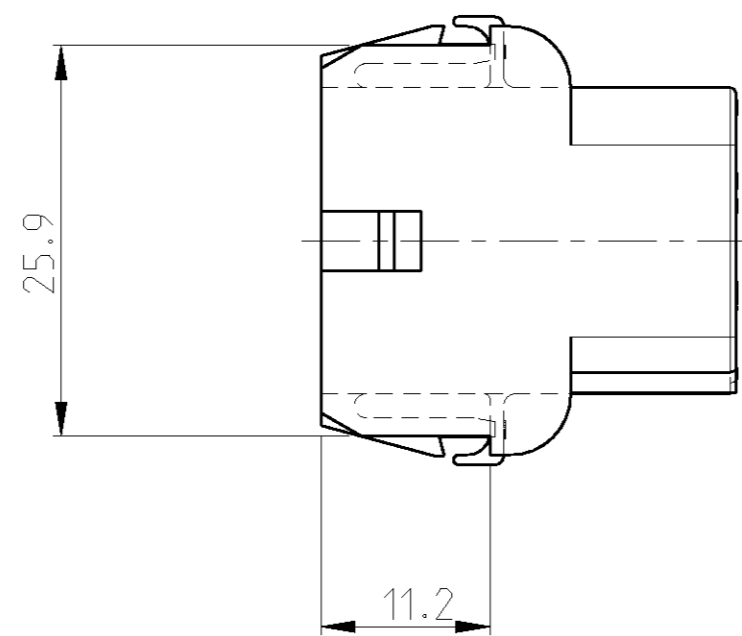
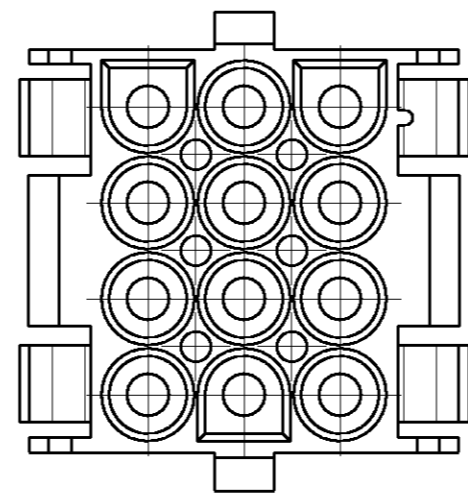
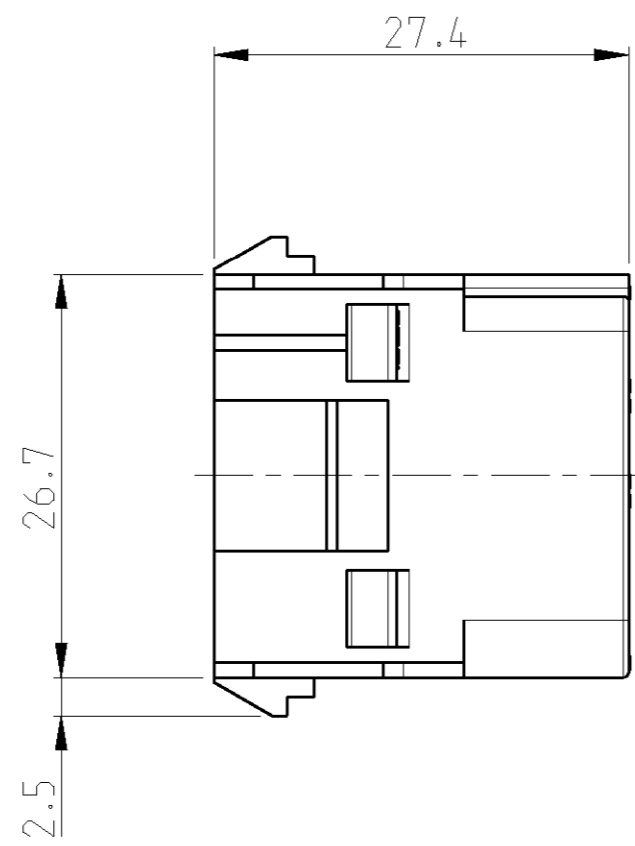
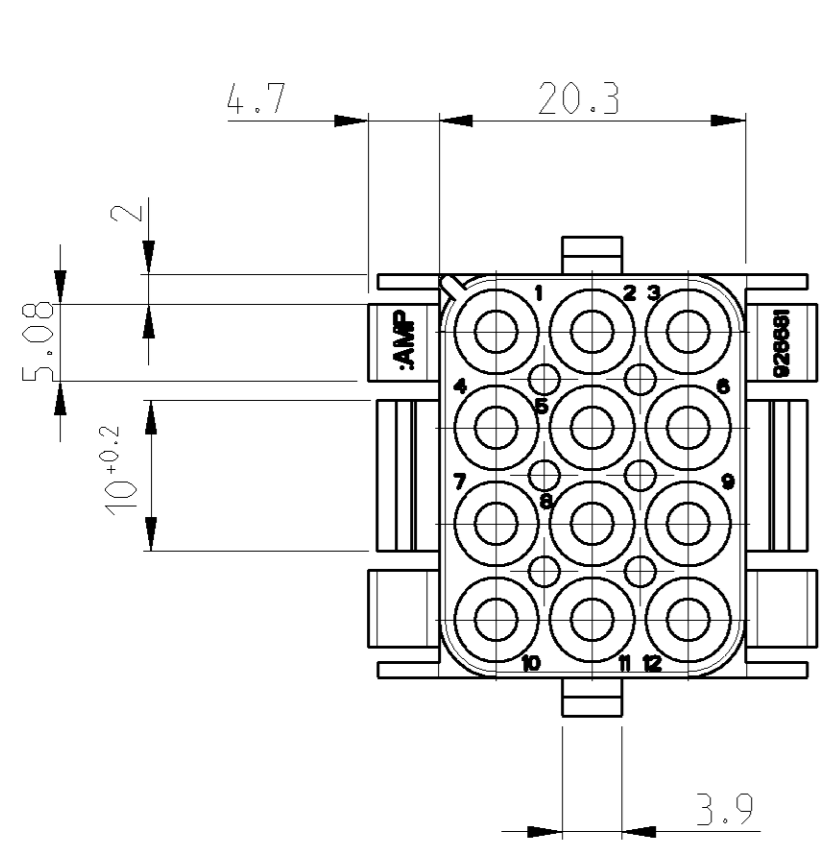
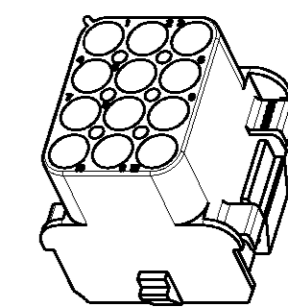
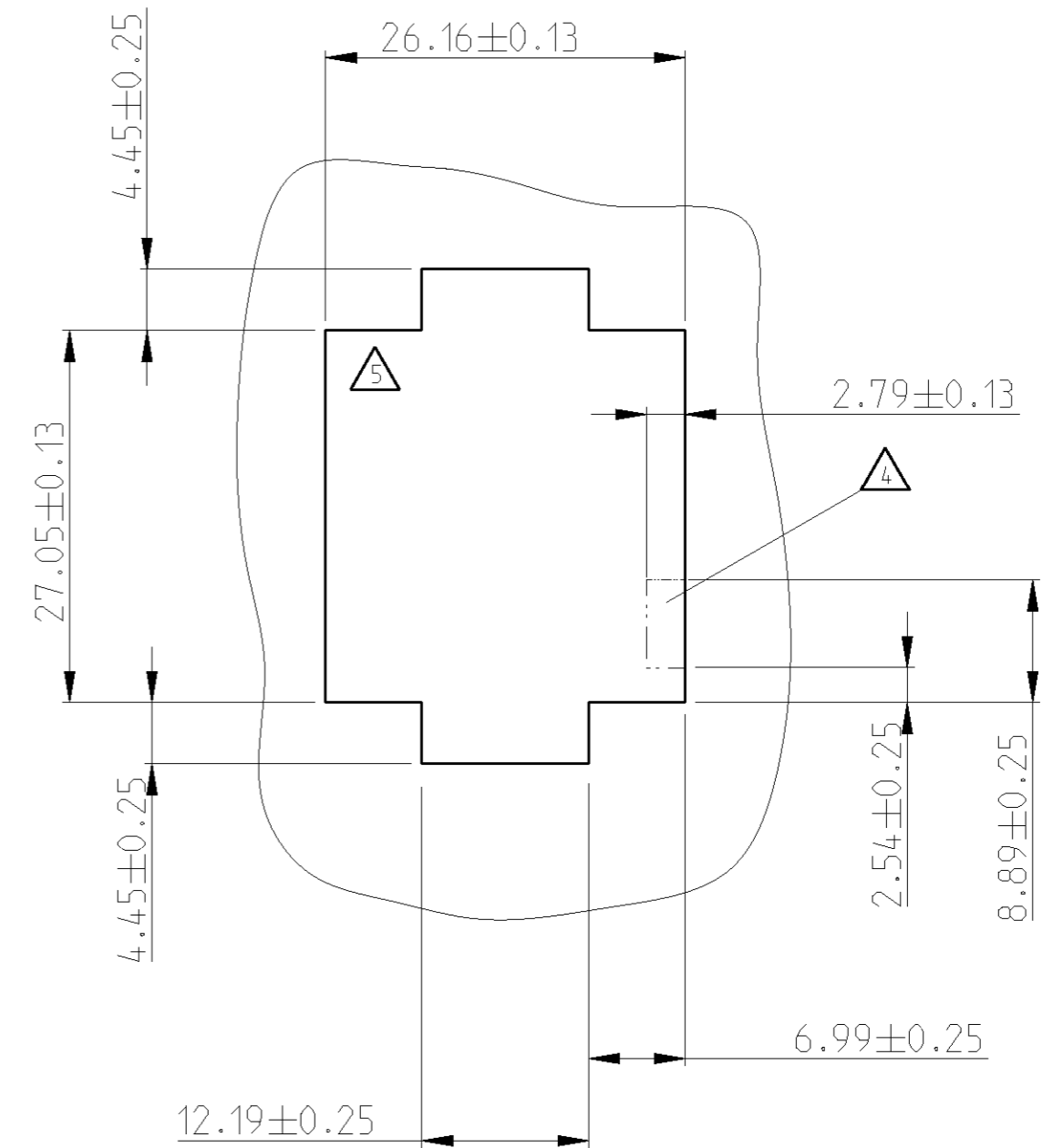


LOC	DIST	REVISIONS					
		P	LTR	DESCRIPTION	DATE	DWN	APVD
A1	-	B2		NEW CAD-DRAWING CREATED	08MAY2003	-	-



Montageausschnitt/PANEL CUT OUT
 Bestückungsseite/LOADING SIDE



1:1

Bemerkungen
 NOTES

- 1 Geeignet für UMNL Stift- und Buchsenkontakte
 BEEN SUITABLE FOR UMNL PIN- AND SOCKET CONTACTS
- 2 Empfohlene Blechstärke 0.75 - 2.3 mm
 RECOMMEND SHEET METAL THICKNESS 0.75 - 2.3 mm
- 3 Gehäuse muß in Stanzrichtung eingeführt werden
 HOUSING MUST BE INTRODUCED TO PUNCHING DIRECTION
- 4 Für verschlüsseltes Einsetzen der Gehäuse
 FOR CODED USING OF THE HOUSINGS
- 5 Position von Kammer 1 bei verschlüsseltem Einsetzen
 POSITION OF CAVITY 1 FOR CODED USING
- 6 Neues Material (Phosphor und Halogen frei)
 NEW MATERIAL (PHOSPHORUS AND HALOGENOUS FREE)

926681-5	B	PA6.6 UL94 V-2	natur/NATURAL
926681-4	B	PA6.6 UL94 V-2 DURETHAN VPKU2	weiß/WHITE
926681-3	B	PA6.6 UL94 V-0	6 natur/NATURAL
926681-2	A	PA6.6 UL94 V-0	6 schwarz/BLACK
926681-1	A	PA6.6 UL94 V-2 ZYTEL E101	natur/NATURAL
PART NO.	REV.	MATERIAL	COLOR

THIS DRAWING IS A CONTROLLED DOCUMENT FOR TYCO ELECTRONICS CORPORATION IT IS SUBJECT TO CHANGE AND THE CONTROLLING ENGINEERING ORGANIZATION SHOULD BE CONTACTED FOR THE LATEST REVISION.		DWN Abraham.G. 08MAY03	tyco Electronics AMP GmbH D - 64625 Bensheim	
DIMENSIONS: mm		CHK Kampmann.H. 09MAY03	NAME 12-pol. UMNL Aufnahmegehäuse UMNL 12-WAY CAP HSG	
TOLERANCES UNLESS OTHERWISE SPECIFIED: 0 PLC ± 2 PLC ± 0.2 3 PLC ± 4 PLC ± ANGLES ± FINISH		APVD -	PRODUCT SPEC 108-1031	
MATERIAL		APPLICATION SPEC 114-18011	SIZE A2	RESTRICTED TO -
-		WEIGHT 9.5 g	CAGE CODE 00779	DRAWING NO. 926681
-		CUSTOMER DRAWING	SCALE 2:1	SHEET 1 OF 1
				REV B2